

- Injected seat made of pure and high density polypropylene, 100% copolymere for high impact resistance
- Very space-saving in width and depth
- Solid color
- Monobloc seat reinforced by interior partitioning
- Smooth shiny appearance
- Pierced for water drainage

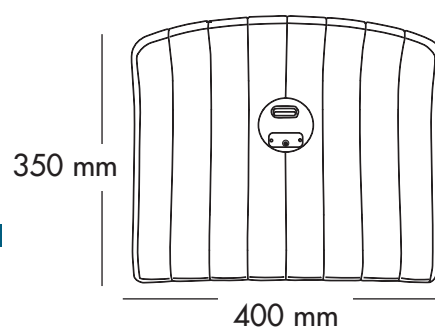
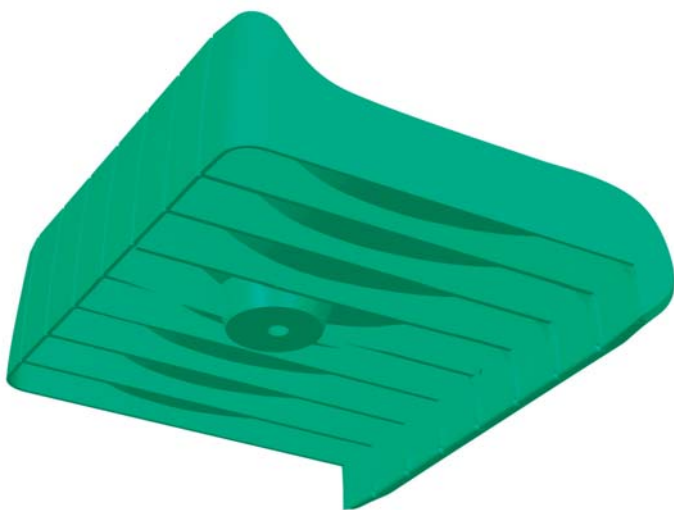
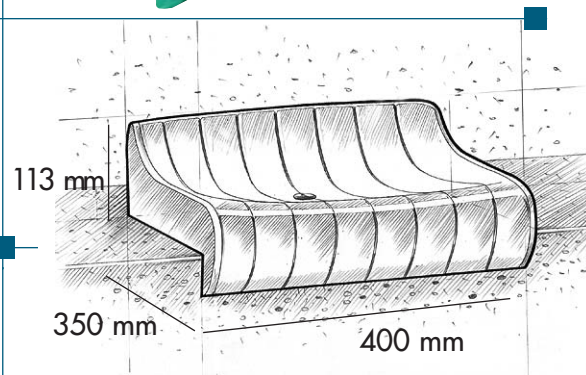


Outdoor use: Reinforced Anti UV ray treatment
5 years guarantee

Indoor use: Fire classification



Our **Solo** seat has been tested in accordance with the European Standards for Stadium Seats: Static load and Fatigue tests on seat.



POSSIBLE ADAPTATIONS: DEPENDING ON THE HEIGHT OF THE STEPS

• **DIRECT ON THE STEP AT A SINGLE CENTRAL FIXATION POINT**

• **NO METAL PARTS**
• **NO HANDHOLD**

